

## STUBBY SERIES GAS DECK OVENS



151 with optional casters

### Specifications

Bakers Pride Stubby Series gas Deck Ovens are designed for high volume pizza and all-purpose operations and are only 33" deep (838mm) to fit in line with other kitchen equipment

Ovens may be stacked three high. Oven exteriors are all heavy-gauge, type 403 stainless steel and are fully insulated for cooler outer temperatures and consistent interior temperatures

Interior oven frame is constructed of ¼" (6mm) heavy-duty angle iron frame, completely welded to form a single, unitized section. The oven body and lining are then welded to the framework.

Oven interiors are manufactured of high-heat resistant 16 gauge aluminized steel. Doors are fully insulated, spring balanced with tubular steel handles and will remain open or closed until moved.

All models feature independent, operator-controlled top & bottom heat control dampers.

Stubby Series features a 300°-650° F (149°-343°C) throttling thermostat, 8" (203mm) interior deck heights with 1 ½" (38mm) thick Cordierite hearth decks (steel decks optional) and are supported by a ¼" (6mm) angle iron frame.

Combination gas control incorporates a manual gas valve, pilot safety and pressure regulator. Easily removable, slide-out, heavy-duty flame diverters distribute the burner flame uniformly in the burner chamber. A ¾" (19mm) NPT gas connection is located on the left side and left rear of oven – operator/installer may choose.

Heavy-duty, 7 gauge hot rolled steel legs are standard and finished with durable Bakertone.

2 year limited parts and labor warranty standard.

### Gas Deck Ovens

<u>Single</u>	<u>Double</u>	<u>Triple</u>
151	152	153
3151	3152	3153
4151	4152	4153

### Standard Features

- 48,000 to 70,000 BTUH per deck, natural or LP gas (LP not CE approved)
- 300°-650° F (149°-343°C) throttling thermostat
- Top and bottom heat control dampers
- Combination gas controls with valve, regulator & pilot safety
- Heavy-duty, slide-out flame diverters
- 8" (203mm) interior deck heights with 1 ½" (38mm) thick Cordierite hearth decks
- All stainless steel exteriors
- Aluminized steel interiors
- Spring balanced, fully insulated doors
- Side or rear gas connections
- 7 gauge legs
- Fully insulated throughout
- 2 year limited parts and labor warranty

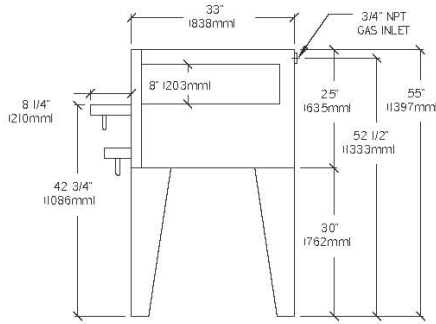
### Options & Accessories

- Steel decks
- 150°-550° F (65°-288°C) Bake thermostat
- Set of 4 casters – two with locks
- Stainless steel legs covers
- Special height legs
- Steam injection
- Automatic oven starter
- Draft flue for direct vent (not available on CE units)

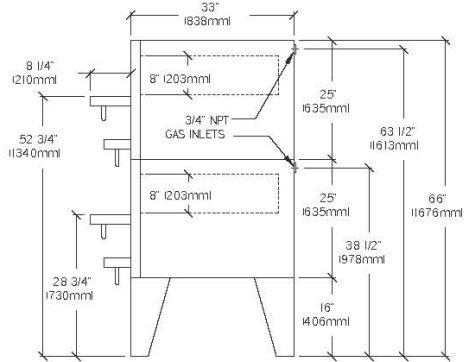
### Certifications



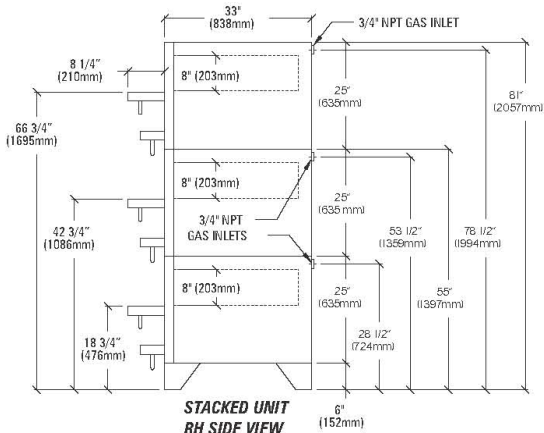
# STUBBY SERIES GAS DECK OVENS



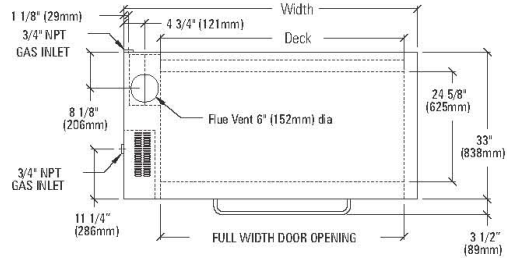
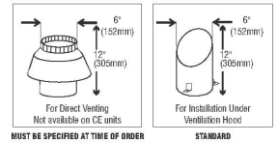
**SINGLE UNIT  
RH SIDE VIEW**



**STACKED UNIT  
RH SIDE VIEW**



**STACKED UNIT  
RH SIDE VIEW**



**TOP VIEW**

All Dimensions Nominal

**SHIPPING INFORMATION**

Model	Shipping Weights		Carton Dimensions			Crate Size	
	Lbs.	Kilos	Width inches / (mm)	Depth inches / (mm)	Height inches / (mm)	Cubic Feet	Cubic Meter
151	820	372	53 / 1346	40 / 1016	37 / 940	44.4	1.4
3151	958	434	52 / 1321	36 / 914	72 / 1829	76.2	2.7
4151	1093	496	52 / 1321	36 / 914	72 / 1829	76.2	2.7

Each oven ships separately  
Hearth Decks and Legs ship in separate cartons  
Shipping Class #85

**GAS SUPPLY**

Model	BTUH	KW	CONNECTION
151	48,000	14	3/4"
3151	70,000	21	3/4"
4151	70,000	21	3/4"

**MINIMUM CLEARANCES**

	Noncombustible Construction		Combustible Construction	
	Inches	MM	Inches	MM
Right	0 / 0		1 / 25	
Left	0 / 0		3 / 76	
Rear	2 / 51		3 / 76	

**SPECIFICATIONS**

Model	Deck Sizes			Overall Dimensions		
	In.	(mm)	# Decks	Width inches / (mm)	Depth inches / (mm)	Height Inches / (mm)
151	36 x 24 1/2	914 x 622	1	48 / 1219	33 / 838	55 / 1397
152	36 x 24 1/2	914 x 622	2	48 / 1219	33 / 838	66 / 1676
153	36 x 24 1/2	914 x 622	3	48 / 1219	33 / 838	81 / 2057
3151	45 x 24 1/2	1143 x 622	1	57 / 1448	33 / 838	55 / 1397
3152	45 x 24 1/2	1143 x 622	2	57 / 1448	33 / 838	66 / 1676
3153	45 x 24 1/2	1143 x 622	3	57 / 1448	33 / 838	81 / 2057
4151	54 x 24 1/2	1372 x 622	1	66 / 1676	33 / 838	55 / 1397
4152	54 x 24 1/2	1372 x 622	2	66 / 1676	33 / 838	66 / 1676
4153	54 x 24 1/2	1372 x 622	3	66 / 1676	33 / 838	81 / 2057

Height includes 30" (762mm) standard legs on models 151,3151,4151  
Height includes 16" (406mm) standard legs on models 152, 3152, 4152  
Height includes 6" (1152mm) legs on models 153, 3153, 4153  
CE approved units may only be stacked two high