

BUNN®

Ultra-2 HP LAFI Liquid Autofill

Frozen beverage dispenser with reversing auger technology for superior mixing and freezing

16 in x 32 in x 24.5 in

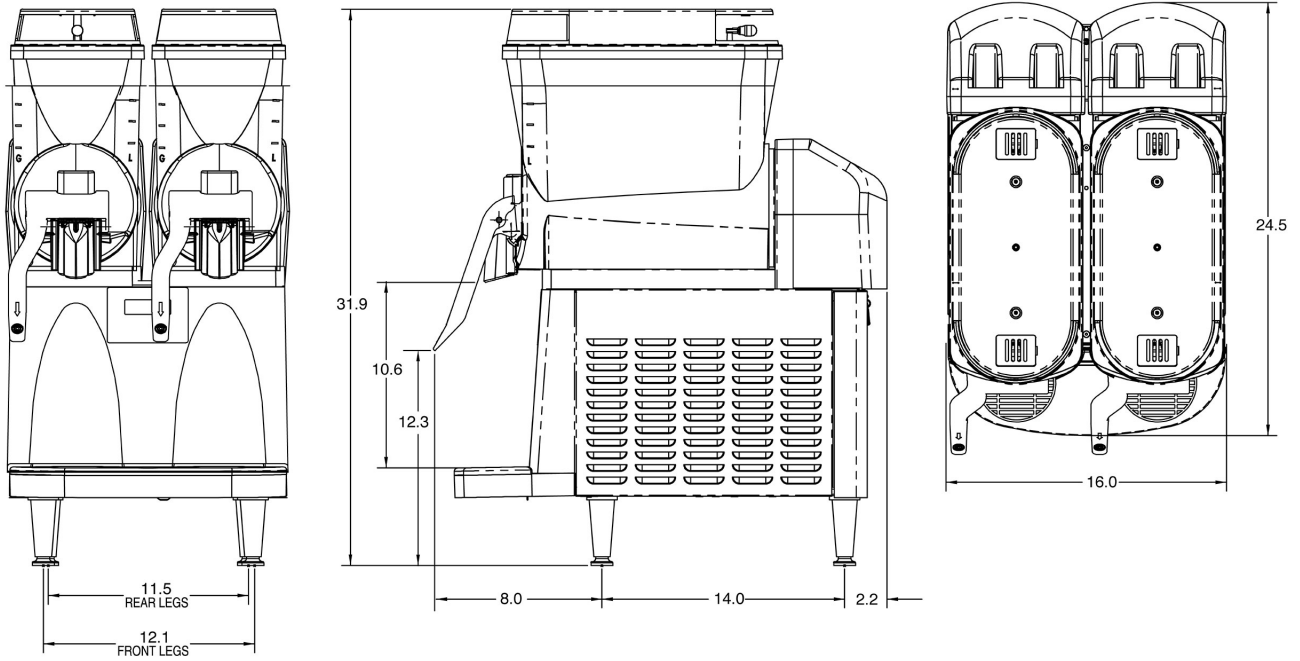
- Full 2-year parts and 1-year labor warranty. 5-year parts and 1-year labor warranty on compressor and 3-year parts and labor warranty on electronics. See the product manual for additional details.
- Large 3gal (11.4L) hopper for optimum cooling and serving capacity
- Refrigeration system internally monitored to ensure long lasting performance
- Very simple to program and run with touchpad display, which also guides cleaning and preventive maintenance

Related products

- 28086.0001 Drip Tray
- 32068.0001 Drip Tray Cover
- 44071.0004 KIT, CONVERT LAF TO CFV-BLK ULTRA2 .035
- 44071.0104 KIT, RETRO CF VLV W/HPRS ULTRA2 BLK .035



Product No	Channel	Product Category	AutoFill	Water Access
34000.0515	Amusement and Leisure College and University Convenience Store Full Service Healthcare Lodging and Hospitality Quick Serve Restaurant	Frozen Dispensed Beverage	Liquid	Plumbed
Number of Hoppers	Finish	Number of Wires (+GND)	Cord Attached	Plug Type
Two	Black	2	Yes	NEMA 5-15P
2D Format CAD Available	Minimum Input Pressure	Maximum Input Pressure	Inlet Water Fitting	Handle
Yes	20 PSI	90 PSI	1/4" Male Flare Fitting	Extended Handle
Machine Depth	Machine Width	Machine Height	Shipping Weight	
24.5 in	16 in	32 in	138.67 lb	



Electric & Capacity

Electrical Configuration Option

Volts-Factory Wired: 120

Phase-Factory Wired: 1

Watts-Factory Wired: 1440

Hertz-Factory Wired: 50/60

Amps-Factory Wired: 12

To see illustrated parts manuals, visit bunn.com/support/manuals

BUNN® reserves the right to change specifications and product design without notice. Such revisions do not entitle the buyer to corresponding changes, improvements, additions, or replacements for previously purchased equipment. For most current specifications and other info visit bunn.com. All dimensions shown in inches.