



CD40022 WITH ICE0320

Features

- Only 22" (559 mm) wide.
- Only 76" (1937 mm) tall with ICE Series machine.
- Storage 120 lbs (54 kg) of ice.
- *Turbo Dispense* dispenses 1/4 lbs of ice per second.
- *Power Clean* allows access to the bin for easy cleaning without moving the ice machine. Interlock safety switch turns off machine agitation when top-front access panel is removed.
- 4" (102 mm) foam insulation for maximum ice preservation – no more quick melting ice.
- Constructed from corrosion-resistant stainless steel and fingerprint-proof plastic.
- Great for hard water, food safety and tight spaces.
- User friendly push-to-dispense operation.

CD40022/40522 CUBE ICE DISPENSER

Ice Form



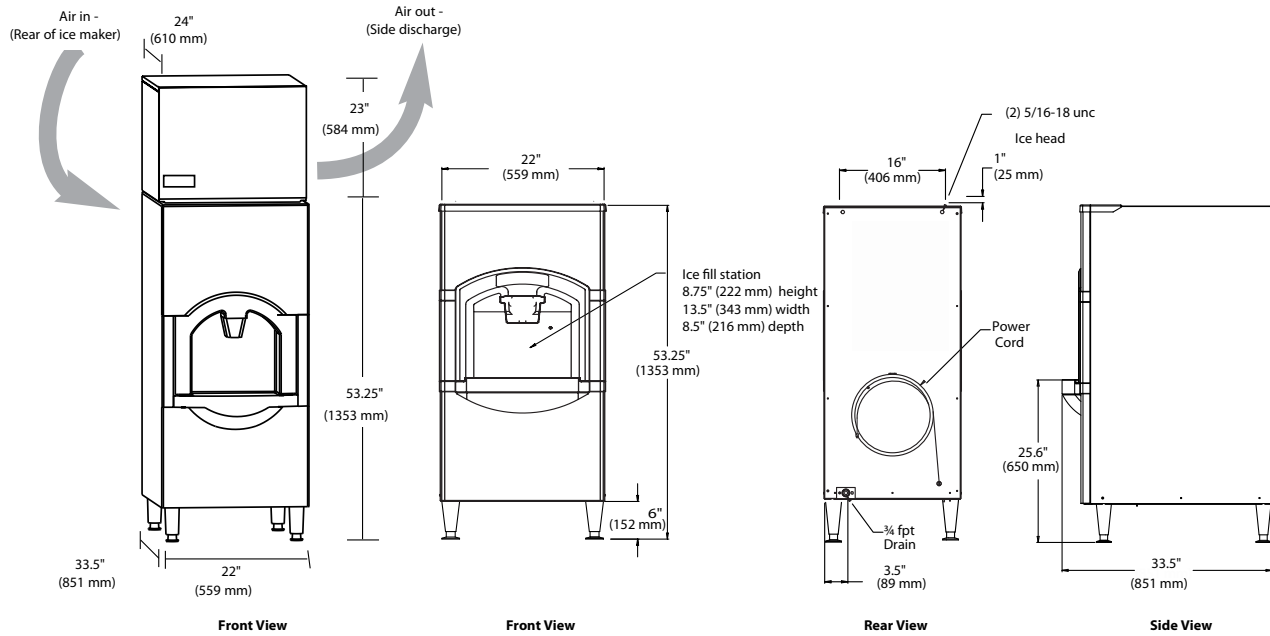
CUBE

Full Cube Dimensions	
W x D x H (in.)	7 ⁵ / ₈ x 7 ⁵ / ₈ x 7 ⁵ / ₈
W x D x H (mm)	22 x 22 x 22
Half Cube Dimensions	
W x D x H (in.)	3 ⁵ / ₈ x 7 ⁵ / ₈ x 7 ⁵ / ₈
W x D x H (mm)	10 x 22 x 22

ICE PRODUCTION FOR OPTIONAL CUBE ICE MAKERS—LBS. (KG) PER 24 HOURS*				
Model Number	ICE0320	ICE0325	ICE0520	ICE0525
Air-Cooled	334 (152)	301 (137)	520 (236)	559 (254)
Water-Cooled	349 (159)	n/a	527 (240)	n/a
Remote-Cooled	n/a	n/a	n/a	n/a
Voltage Char.	115/60/1	220-240/50/1	115/60/1	220-240/50/1

*Tested at 70°F Air/50°F Water.

All specifications and performance data are subject to normal manufacturing variances.



Operating Requirements

	MINIMUM	MAXIMUM	
		60 Hz	50Hz
Ambient Temp. Range Air	50°F (10°C)	100°F (38°C)	110°F (43°C)
Water Temp.	40°F (4.4°C)		90°F (32°C)
Water Pressure	20 PSIG (1.4 BAR)	60 PSIG (4.1 BAR)	

Dimensions (dispenser only)

ALL MODELS	
W x D x H (in.)	22 x 33.5 x 53.25
W x D x H (mm)	559 x 851 x 1,353

Specifications

Model Number	Dispenser Operation	ARI Bin Storage lbs (kg)	Voltage Characteristics	Min. Circuit Ampacity
CD40022*	Push	120 (55)	115/60/1	2.1
CD40522	Push	120 (55)	230/50/1	2.1

Note #1: Model CD40022 and CD40522 dispensers accept all 22" ICE Series™ Cube Ice Makers.
 Note #2: CD40022 and CD40522 Series units do not require an Adaptor and Bin Level Kit.

NOTES:
 Number of Wires: 3 (including ground)
 Approx. Shipping Weight lbs (kg): 230 (105)
 Refrigerant Type: R404A
 *Cordset included